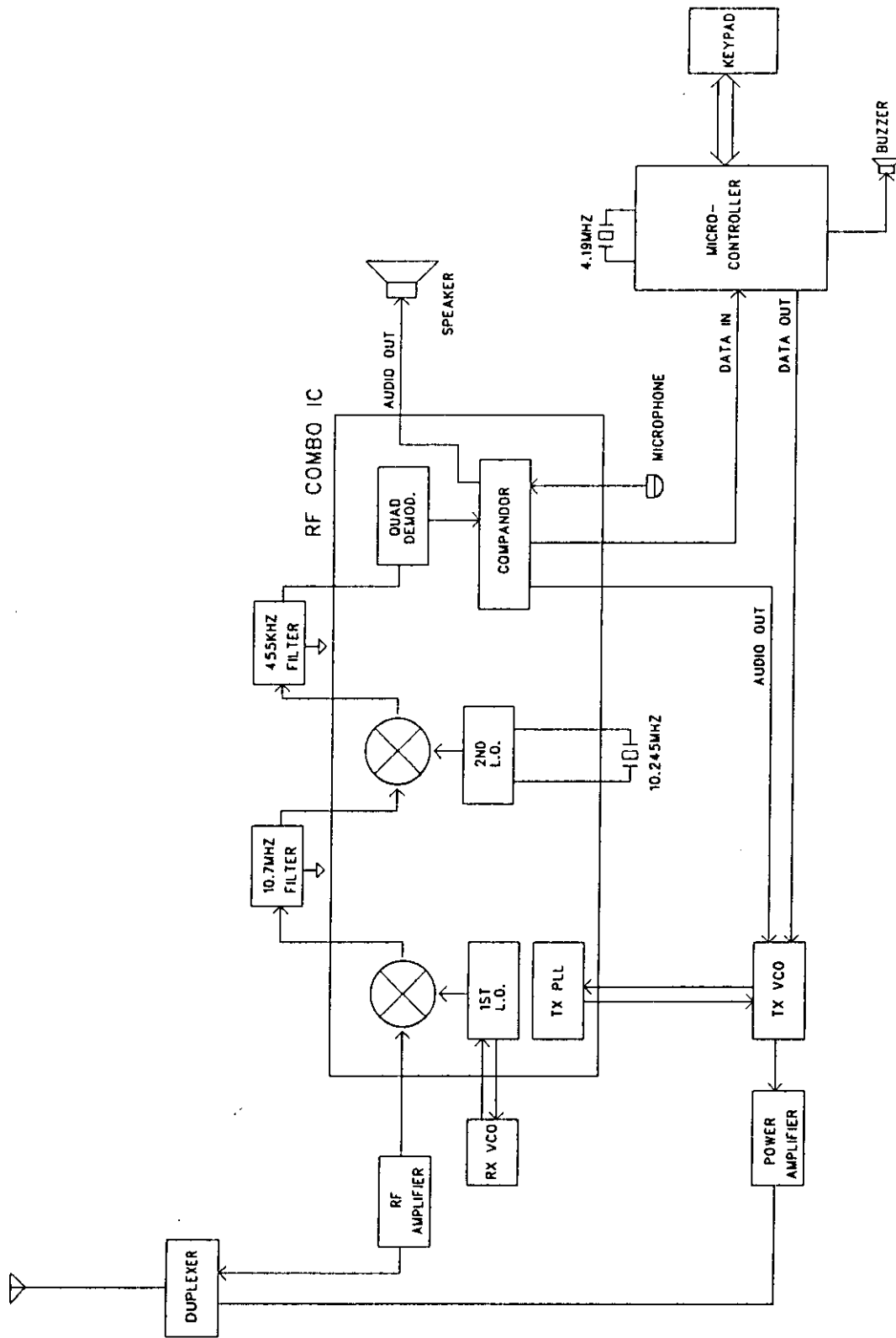


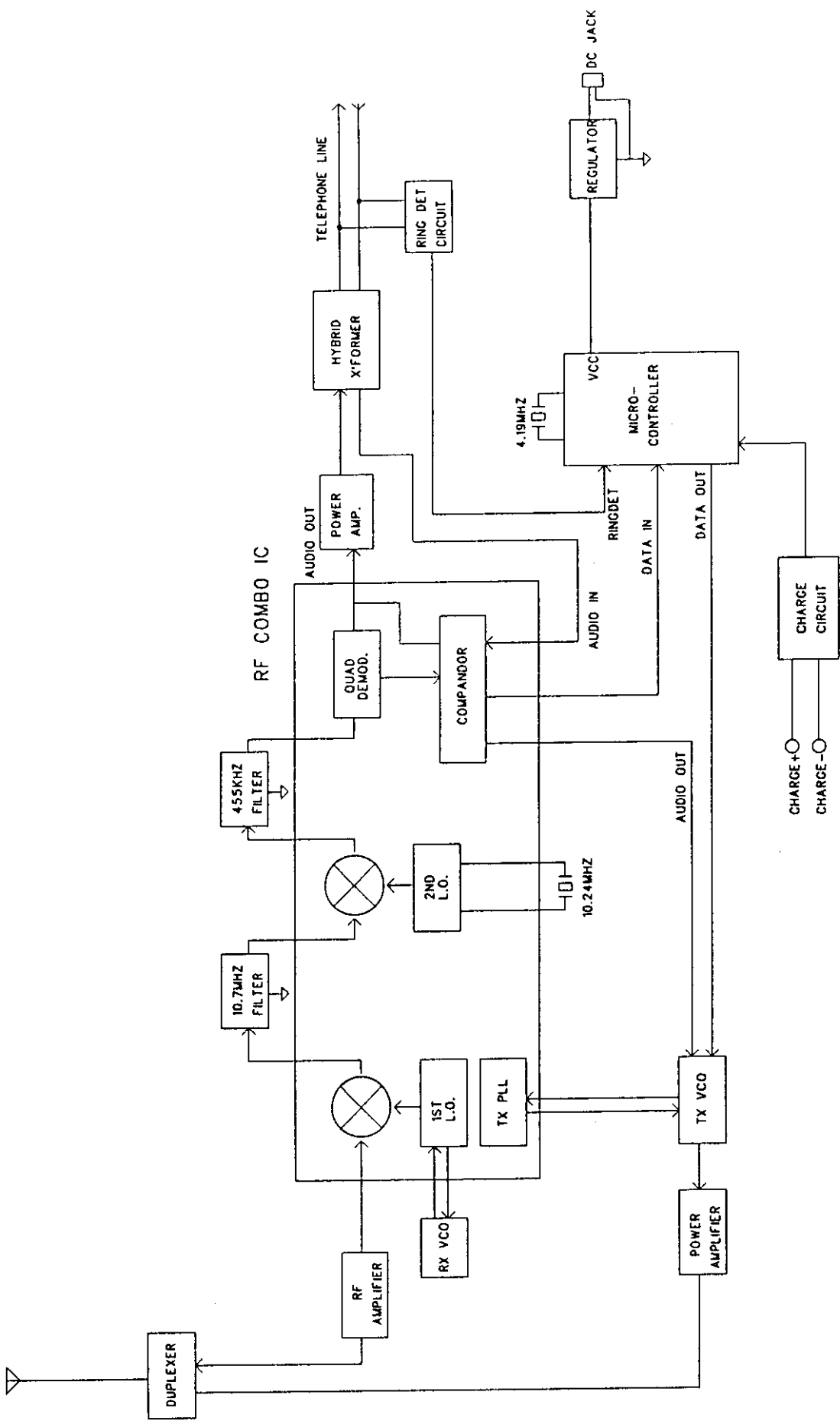
EXHIBIT C

(FCC Ref. 2.1033(b)(5))

"Block and Schematic Diagrams"



BLOCK DIAGRAM OF 2-9750D HANDSET



BLOCK DIAGRAM OF 2-9750D BASE UNIT