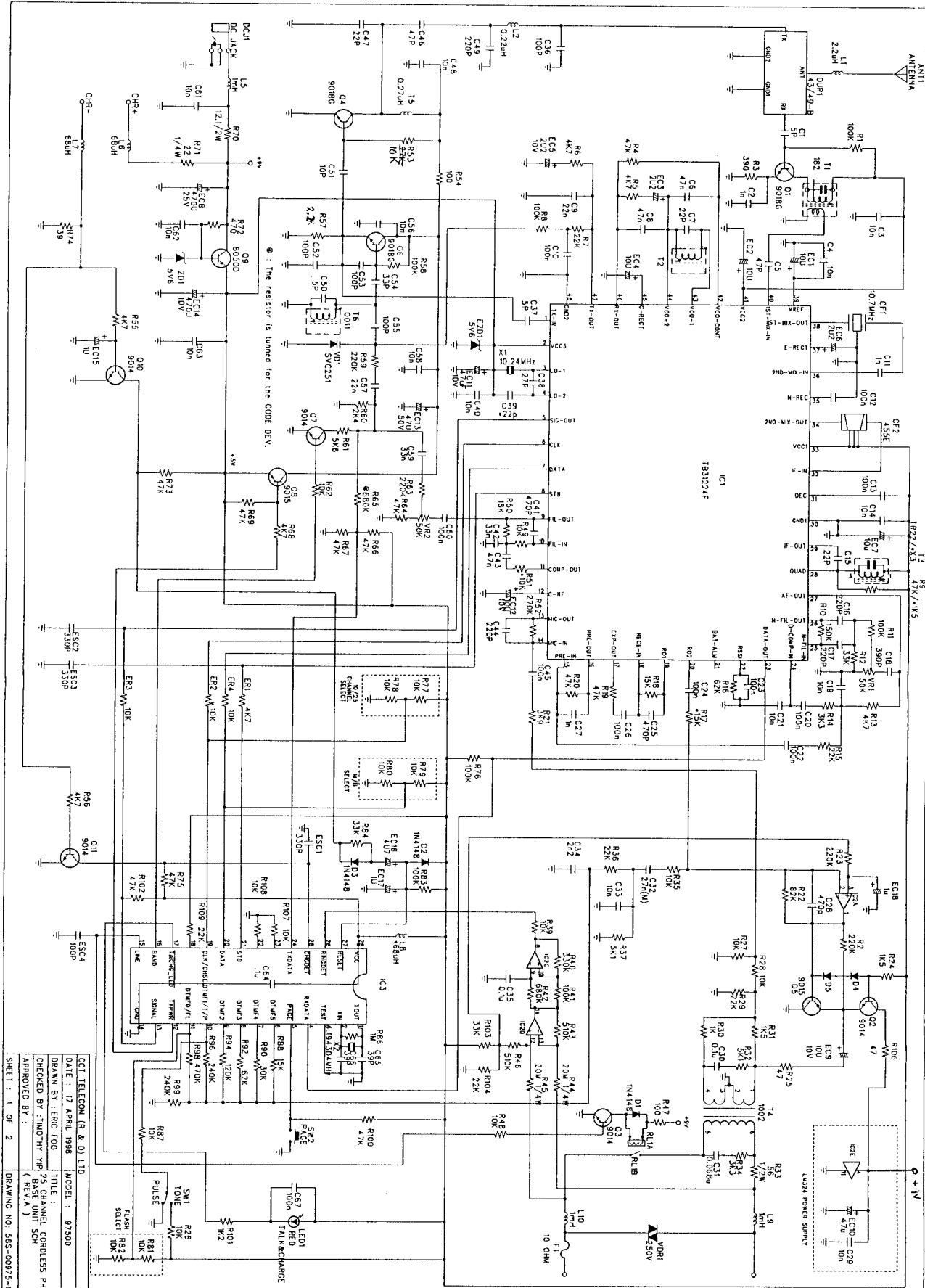


NOTE : RESISTOR VALUE : OHM
 CAPACITOR VALUE : UF OR F
 DIMENSIONS UNLESS SPECIFIED

CCT TELECOM (R & D) LTD	
DATE :	17 APRIL 1988
DRAWN BY :	EMC F00
CHECKED BY :	TMOUW YP
APPROVED BY :	
MODEL :	9180
TITLE :	USA 24 PHONO COMPLETE FRONT HANGSET SCH (REV.A)

FCC ID: G9H2-9750
 EXHIBIT (2)-1
 Matestech Report No. 98164D



①: The resistor is turned for the CODE DEV.

DC11
 DC JACK
 L5
 121/24
 R70
 1/4W
 C61
 10n
 R71
 22k
 C62
 1/4W
 R72
 22k
 C63
 10n
 R73
 22k
 C64
 10n
 R74
 22k
 C65
 10n
 R75
 22k
 C66
 10n
 R76
 22k
 C67
 10n
 R77
 22k
 C68
 10n
 R78
 22k
 C69
 10n
 R79
 22k
 C70
 10n
 R80
 22k
 C71
 10n
 R81
 22k
 C72
 10n
 R82
 22k
 C73
 10n
 R83
 22k
 C74
 10n
 R84
 22k
 C75
 10n
 R85
 22k
 C76
 10n
 R86
 22k
 C77
 10n
 R87
 22k
 C78
 10n
 R88
 22k
 C79
 10n
 R89
 22k
 C80
 10n
 R90
 22k
 C81
 10n
 R91
 22k
 C82
 10n
 R92
 22k
 C83
 10n
 R93
 22k
 C84
 10n
 R94
 22k
 C85
 10n
 R95
 22k
 C86
 10n
 R96
 22k
 C87
 10n
 R97
 22k
 C88
 10n
 R98
 22k
 C89
 10n
 R99
 22k
 C90
 10n
 R100
 22k

DATE: 17 APRIL 1998
 DRAWN BY: ERIC T00
 CHECKED BY: JIMOTHY YIP, RACAMM, SCB
 APPROVED BY: (REV. A)
 SHEET: 1 OF 2
 DRAWING NO: 555-00975-0100A

FCC ID: G9H2-9750
 EXHIBIT C(2)-2
 Maritech Report No. 98164D