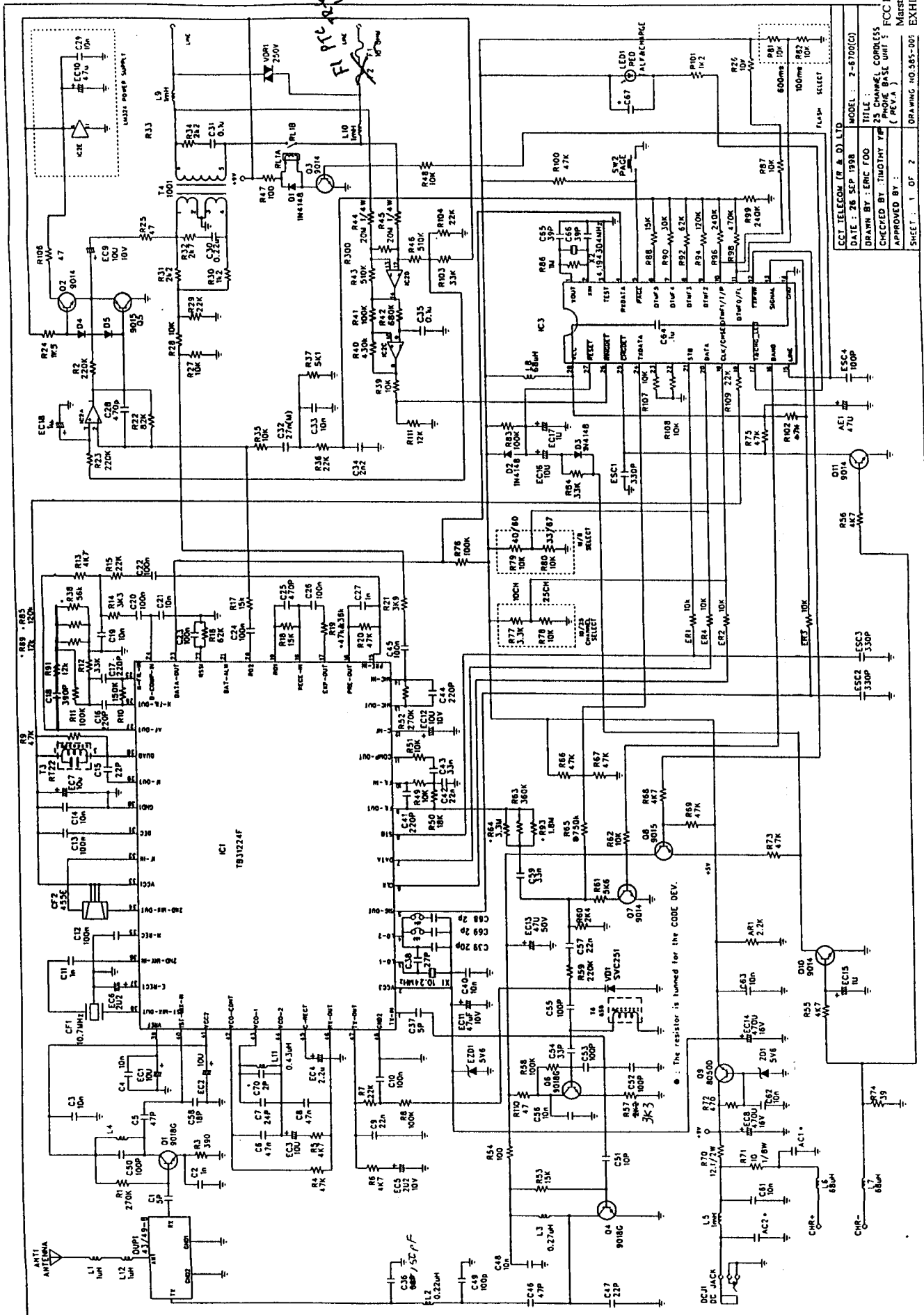


ESM-1
 150-20-02
 02 02
 FUSE

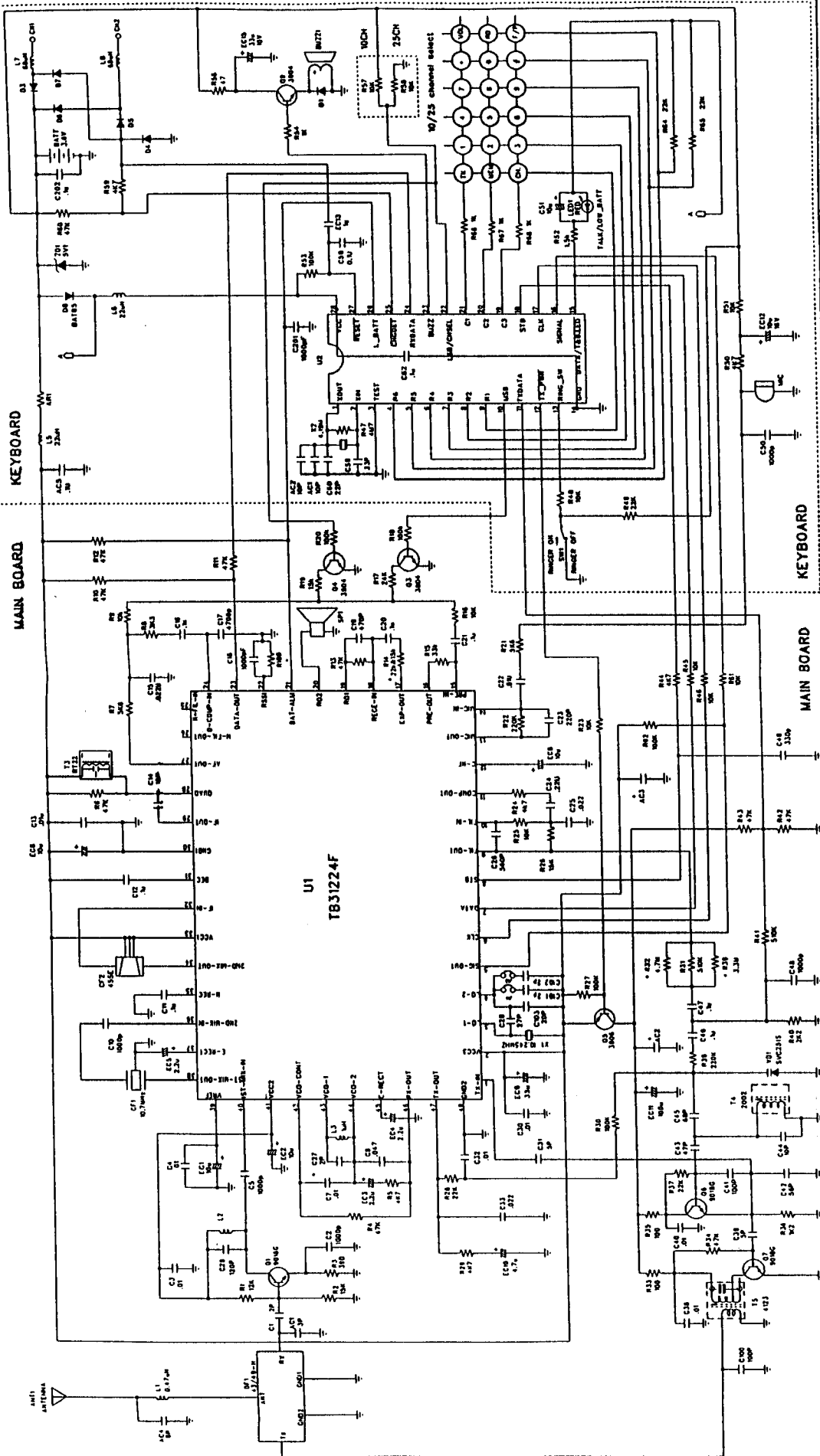


CCT TELECOM (P. B. D.) LTD	MODEL : 2-8700(C)
DATE : 26 SEP 1998	DRAWN BY : ERIC FOO
CHECKED BY : TIMOTHY YAP	APPROVED BY :
SHEET : 1 OF 2	DRAWING NO. 365-001

TITLE :
 25 CHANNEL CORRELSS
 PHONE BASE UNIT 5
 (P.E.T.A.)

FCC ID: O9H2-9750
 Marstech Report No. 9851
 EXHIBIT C(2)-1

⊙ : The resistor is tunned for the CODE DEV.



CCT TELECOM (R & D) LTD	
DATE :	24 SEP 1988
DESIGNER :	ENG BENCIFIANUS
CHECKER :	TEHNIEN YAP
APPROVED BY :	
MODEL :	3-DTR(EO)
FILE NAME :	USA 35 CHANNEL COMPLETE PHONE MOUNTED PCB (REV.A)
DRAWING NO. :	315-00173-00359
SHEET :	2 OF 2

NOTED : LARGESTOR VALUE : OHM
 ZCAPACITOR VALUE : μF OR F
 DIMENSIONS UNLESS SPECIFIED