

599-566

GP BATTERY PACK**M1354****Technical Data for Cellular Phone Battery Pack****NiMH****Specifications :**

Model No	:	M1354
Battery Type	:	Nickel Metal Hydride
For use with	:	ERICSSON EH237/GH337
Color	:	Black (B)
Battery	:	5 X GP110AAM
Nominal Voltage	:	6.0V
Cut Off Voltage	:	5.0V
Capacity	:	1100 mAh at 0.2C
Continuous Talk Time*	:	210 min.
Stand-by Time*	:	26 hours
Temperature Range	:	Charge : 0 ~ 45°C Discharge : -20 ~ 50°C Storage : -20 ~ 50°C
Casing Material	:	ABS / PC BLEND
Typical Weight	:	140g
Charging	:	Battery should be charged in a GP or an Original Manufacturer charger. First Charge Rate : 0.1C Subsequent Charge Rate : 0.1C ~ 1C
Safety	:	Each battery is equipped with a polyswitch and thermistor to protect battery from high temperature and/ or short circuit. Each cell is also equipped with a safety vent system in case abuses occur.
Warranty	:	Six (6) months limited warranty from date of purchase.

*data valid only when the battery pack is on fully charged condition.

Ericsson is a registered trademark of ERICSSON GE MOBILE COMMUNICATIONS INC.



A product of the Gold Peak Industries Group

SYLVA PRODUCT SPEC : RWIS9753 R0

Manufacturer reserves the right to alter or amend the design, model and specification without prior notice.

2/95

PAGE 2 OF 4



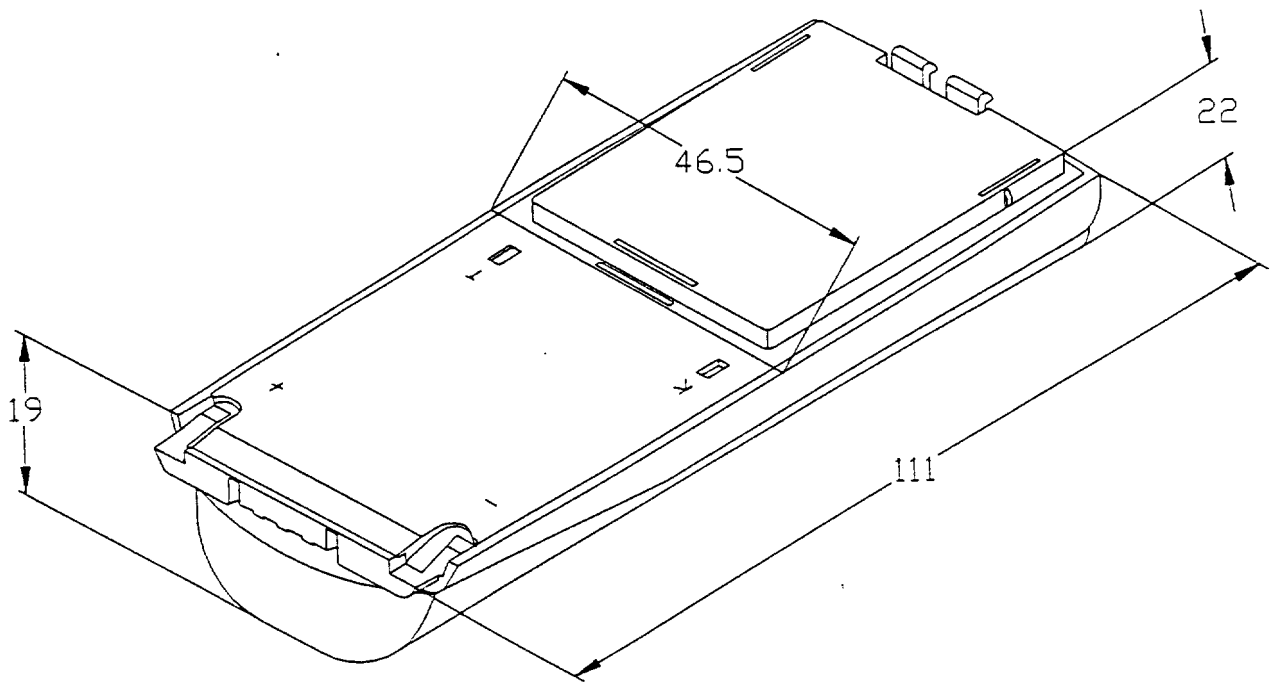
BATTERY PACK

M1354

Technical Data for Cellular Phone Battery Pack

NiMH

MECHANICAL DRAWING :



A product of the Gold Peak Industries Group

SYLVA PRODUCT SPEC : RWIS9753 R0

Manufacturer reserves the right to alter or amend the design, model and specification without prior notice.

2/95

Page 3 of 4

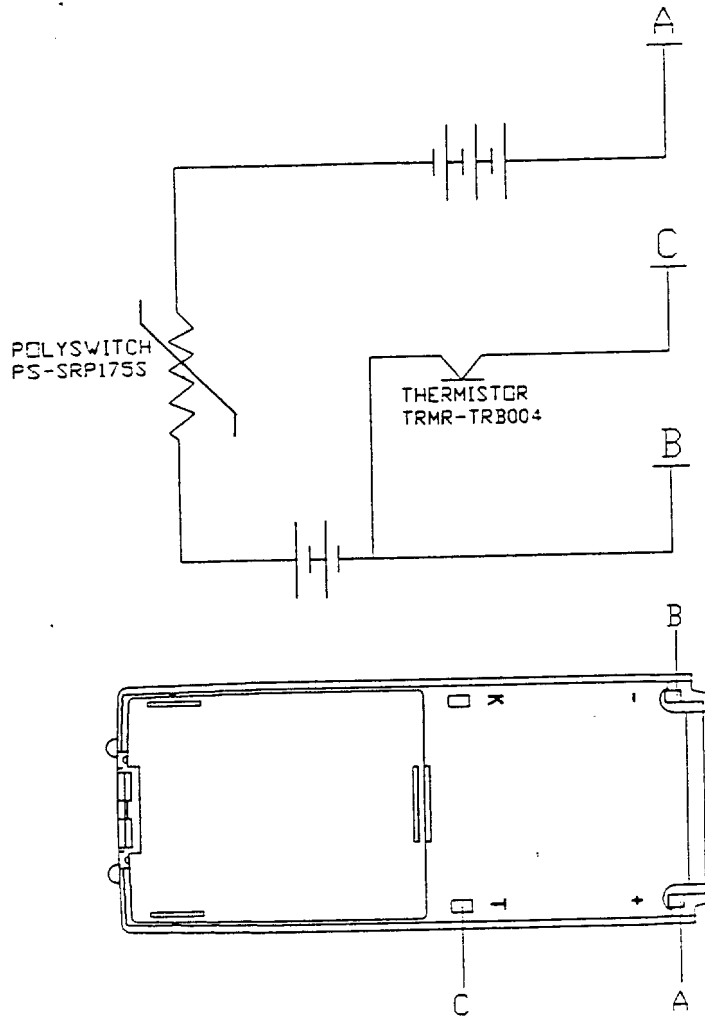
GP BATTERY PACK

M1354

Technical Data for Cellular Phone Battery Pack

NiMH

CIRCUIT DIAGRAM:



CHECK POINT		SPECIFICATION
OCV	A-B	OUTGOING OCV PER PACK AT LEAST > 1.5V 'A' IS +VE TERMINAL
THERMISTOR TESTING	B-C	THE VALUE OF THERMISTOR BETWEEN (8.25K TO 13.7K) ohm AT 20 - 27 DEGREES C



A product of the Gold Peak Industries Group

SYLVA PRODUCT SPEC : RWIS9753 R0

Manufacturer reserves the right to alter or amend the design, model and specification without prior notice.

2/95

Page 4 of 4